

Telecommunication Products



Viscount offer a comprehensive range of polymer pits designed for use in a range of cabling and telecommunications applications. Viscount pits provide a unique side wall design that offers the necessary structural integrity to withstand the loads applied by the compaction of the surrounding soil while still supporting the vertical loads required in general use. The pits come in a range of standard sizes and are made from black UV stabilised polyethylene. The built-in cutting guides on all the pits ensure fast transformations of the pit height when installers require a reduction in the depth of the pit or for general installment. Viscount pits have been designed, developed and approved in conjunction with the major Australian Authorities in Telecommunications and Energy supply.



UG2001 - P1 Pit



UG2002 - P2 Pit



UG2003 - P3 Pit



UG2004 - P4 Pit



UG2005 - P5 Pit



UG2006 - P6 Pit



UG2007 - P7 Pit



UG2008 - P8 Pit



UG2900 - P9 Pit

| Code | Product | A | A1 | B | B1 | B2 | C | C1 | C2 |
|--------|---------|------|------|-----|-----|-----|------|------|-----|
| UG2001 | P1 Pit | 520 | 475 | 230 | 190 | 153 | 408 | 364 | 143 |
| UG2002 | P2 Pit | 655 | 610 | 287 | 250 | 201 | 565 | 509 | 205 |
| UG2003 | P3 Pit | 780 | 735 | 350 | 295 | 234 | 625 | 575 | 250 |
| UG2004 | P4 Pit | 710 | 650 | 400 | 350 | 283 | 830 | 752 | 340 |
| UG2005 | P5 Pit | 710 | 650 | 455 | 400 | 330 | 635 | 581 | 230 |
| UG2006 | P6 Pit | 1375 | 1310 | 615 | 502 | 440 | 685 | 630 | 280 |
| UG2007 | P7 Pit | 1020 | 960 | 550 | 500 | 420 | 1110 | 1051 | 500 |
| UG2008 | P8 Pit | 1375 | 1310 | 631 | 502 | 440 | 900 | 839 | 425 |
| UG2900 | P9 Pit | 2100 | 1980 | 610 | 500 | 450 | 920 | 850 | 415 |

All measurements in millimetres

Telecommunication Products

Viscount also have a range of injection moulded polymer pits. From the P1 pit to the new P5 pit, Viscount continue to develop products to suit the changing needs of the infrastructure market. This range of products offers strength, low weight, rigidity with transport and storage efficiencies that is hard to beat. The innovative P5 – 3 piece pit has the option to be disassembled for fast reinstatement applications. Made in 3 sections the pit can be broken down into its basic elements by simply unclipping the tabs. The new single piece P5 pit offers the highest standard in pit design encompassing strength, low weight, nestability and efficient production techniques resulting in a superior, cost effective product. All Viscount products are manufactured in accordance with AS/NZ ISO 9001 Australian Standards.



VP0151 - P1 Pit (Injection)



VP0152 - P2 Pit (Injection)



VP0158 - P5 Pit (Injection)



VP0153 - P3 Pit (Injection)



VP0154 - P4 Pit (Injection)



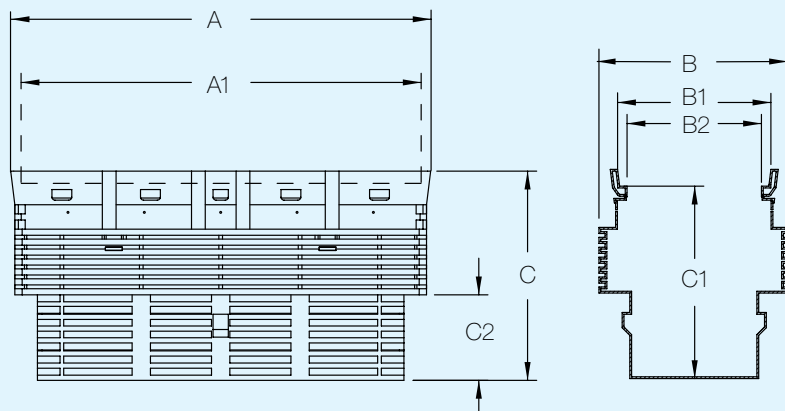
VP0155 - P5 Split Pit (Injection)



Split View

| Code | Product | A | A1 | B | B1 | B2 | C | C1 | C3 |
|--------|------------------------|-----|-----|-----|-----|-----|-----|-----|-----|
| VP0151 | P1 Injection Pit | 505 | 475 | 225 | 198 | 155 | 404 | 364 | 164 |
| VP0152 | P2 Injection Pit | 657 | 607 | 286 | 249 | 180 | 574 | 528 | 254 |
| VP0153 | P3 Injection Pit | 771 | 734 | 351 | 302 | 243 | 634 | 584 | 314 |
| VP0154 | P4 Injection Pit | 712 | 652 | 387 | 337 | 281 | 824 | 774 | 374 |
| VP0155 | P5 Injection Split Pit | 713 | 653 | 453 | 400 | 332 | 630 | 585 | 230 |
| VP0158 | P5 Injection Pit | 710 | 650 | 455 | 400 | 323 | 635 | 570 | 220 |

All measurements in millimetres



Telecommunication Products



Viscount Rotational Moulding's Pty Ltd range of extension collars provide for installations that require an increase in the depth of the pit connections. These collars are quick and easy to install by attaching the collar to the appropriate pit by means of stainless steel screws. A maximum of two collars per pit can be used. Viscount has a range of moulded lockable lids. These have an anti slip surface and have been independently tested by Nata Approved Laboratories to AS/NZS 3661.1. Our locking mechanism (as shown below) offers cost effective security. All locking lids are supplied with plastic keys and protection plugs. The rotomoulded lockable lids are certified to Class A; footways and areas accessible only to pedestrians and pedal cyclists. Viscount's collars and lids are moulded in black, UV stabilized, high density polyethylene to handle the toughest Australian conditions.



UG2016 - P4 Collar

UG2010 - P5 Collar

UG2011 - P6 & P8 Collar

UG2017 - P7 Collar

| Code | Product | A | A1 | B | B1 | B2 | C | C1 |
|--------|------------|------|------|-----|-----|-----|-----|-----|
| UG2016 | P4 Collar | 710 | 650 | 410 | 350 | 285 | 234 | 150 |
| UG2010 | P5 Collar | 715 | 650 | 455 | 400 | 330 | 230 | 150 |
| UG2011 | P6 Collar | 1380 | 1314 | 545 | 502 | 435 | 280 | 210 |
| UG2017 | LP7 Collar | 1015 | 960 | 560 | 500 | 418 | 280 | 200 |

All measurements in millimetres



UG2200 - P4 Lockable Lid

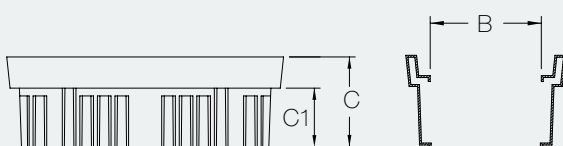
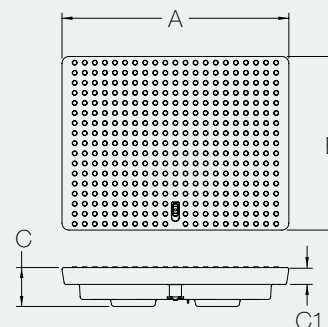
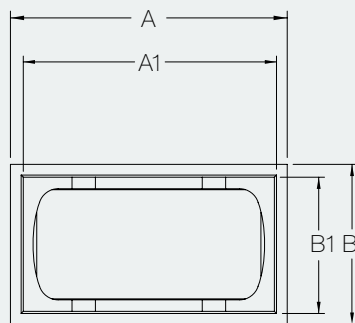
UG2300 - P5 Lockable Lid

UG2350 P6 Lockable Lid to suit P6, P8 & P9 Pit

| Code | Product | A | B | C | C1 |
|--------|-----------------|-----|-----|-----|----|
| UG2200 | P4 Lockable Lid | 655 | 355 | 90 | 50 |
| UG2300 | P5 Lockable Lid | 650 | 397 | 90 | 50 |
| UG2350 | P6 Lockable Lid | 650 | 495 | 115 | 50 |

All measurements in millimetres

Have your lids branded to display your company logo or end application. Please contact our sales office for more information.



Telecommunication Products

To further enhance Viscount's range of Infrastructure Products we now have included gaskets and cross bars. The new range of Viscount gaskets ensures security of the pit from foreign objects entering the pit cavity. The gaskets fit neatly below the lid and are available in 5 common sizes. The Viscount gaskets are made from black fluted polypropylene sheet. The VRM cross bars are designed to fit the larger pits that require more than one lid. The crossbars come in two types of cast iron for the P6, P8 and P9 pit and the fabricated steel bar for the smaller P7 pit.



Viscount - the one stop shop for all your Infrastructure needs!



UG2014 - Reinstatement kit



Locking mechanism for P4-P6 Lid range



21BU0012 Plug
20FA0013 - Key
to suit: P4 to P6 Lids



Gasket:
UG3002 to suit P2 Pit
UG3003 to suit P3 Pit
UG3004 to suit P4 Pit
UG3005 to suit P5 Pit
UG3006 to suit P6, P8 & P9 Pit



21MC25CI - Crossarm Bar
For P6, P8 & P9 Pits

21MC26CI P7 Pit Crossarm Bar

Please Note:
Two gaskets are required for P6 and P8 Pits.
Three gaskets are required for P9 Pits.



Crossarm Bar and Gaskets

